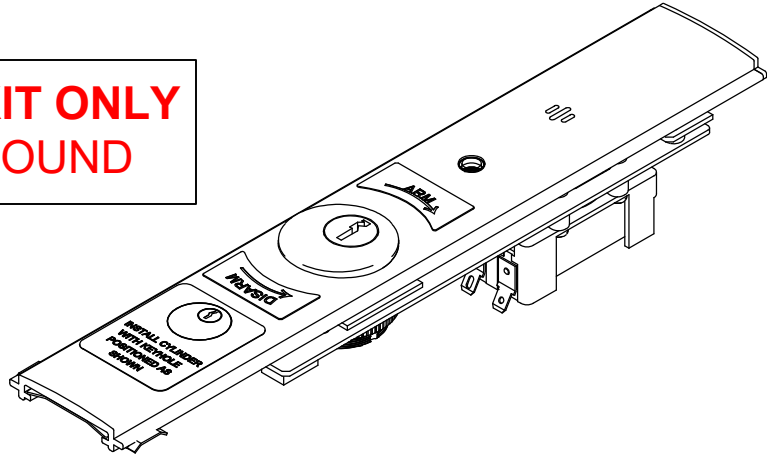




# INSTALLATION INSTRUCTIONS

## S6000AK & BK ALARM BOARD

**EMERGENCY EXIT ONLY  
ALARM WILL SOUND**



### Features:

- Monitor LED: - (field selectable Active or Off)
- Bypass: - No LED
- Armed: - Blinks every 15 seconds (GREEN when armed, RED when in alarm mode)
- Low battery Alert: - Siren will beep every 45 seconds
- Arming Delay: - 15 or 60 second arming delay

### Field selectable alarm modes include:

- Continuous alarm with manual key reset
- Alarm automatically rearms 2 or 6 minutes after door closes and may be retriggered.
- May be manually rearmed by key before automatically rearmed.

### Options:

- A: - Battery Powered (9V battery)
- B: - Hard wire cable with monitoring.

### Specifications:

- Input Voltage: - 12/24vdc @ 20mA. ("B" Option)
- Alarm output: - 1 amp SPDT form "C" relay contact
- Remote Inhibit: - N/O dry contact
- Siren Level db: - @90db

### Monitor LED Operation

#### Flashing Green – Arming Delay Mode

The device will arm after the delay on arm time expires.

#### Blinking Green – Armed Mode

The unit is armed. Pressing on the push pad will sound the alarm.

#### Solid Red – Alarm Mode

The alarm has been activated. The alarm will sound.

#### Blinking Red – Re-Armed Mode.

The has been triggered at least once and has automatically reset and has returned to the armed mode. Pressing on the push pad bar will sound the alarm. Manually resetting the device will clear this mode.

#### Flashing Orange – Low Battery

You will also hear an intermittent beep.

Dip Switch Number	Function	Switch Position	
		<input type="checkbox"/> ON	<input checked="" type="checkbox"/> OFF
1	Alarm Timer	2 Minutes	6 Minutes
2	Reset Mode	Manual	Auto
3	Delay on Arm Time	15 Seconds	60 Seconds
4	Monitor LED	Not Active	Active

Factory default: All functions set to **ON** position

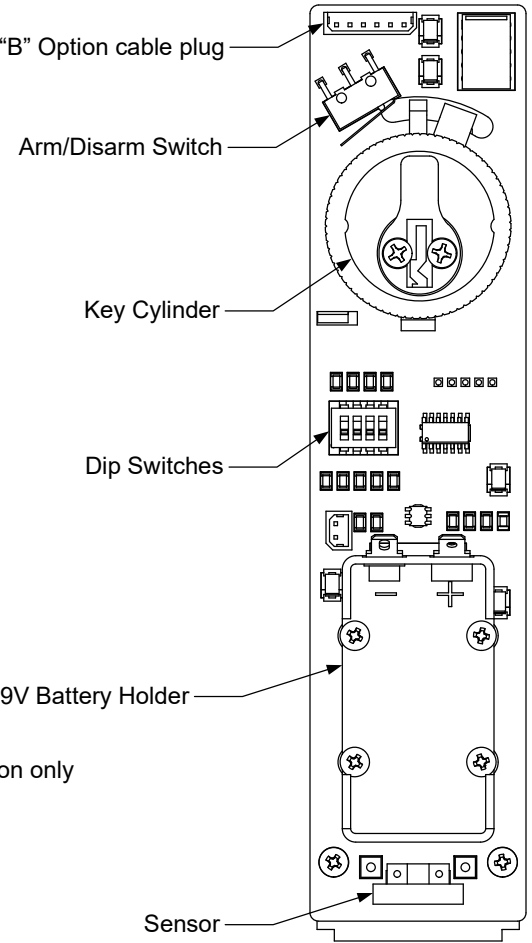
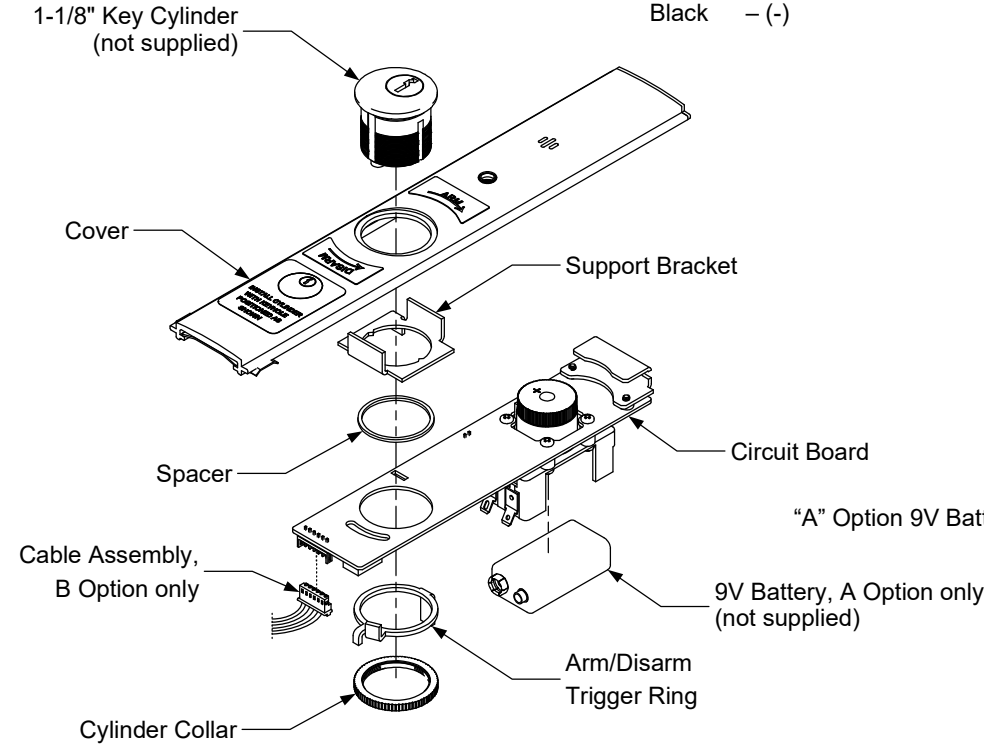
Any suggestions or comments to this instruction or product are welcome. Please contact us through our website or email [engineer@sdsecurity.com](mailto:engineer@sdsecurity.com)



### Components and Assembly

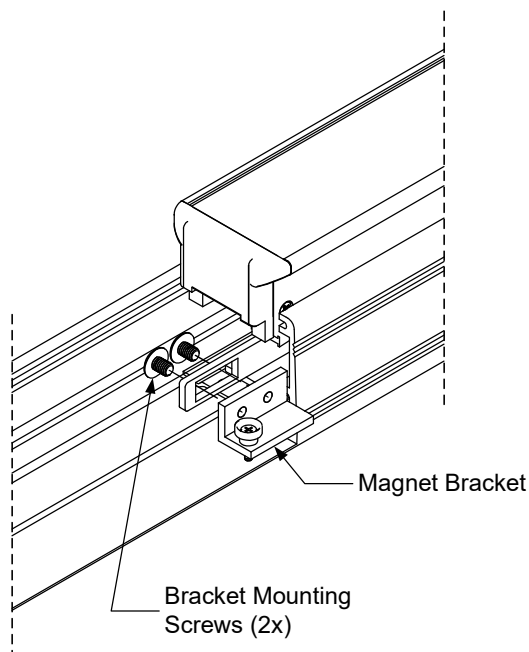
Assemble Alarm components as shown below.

- Blue – INHIBIT
- Yellow – N/O
- Orange – N/C
- White – COM
- Red – (+)
- Black – (-)



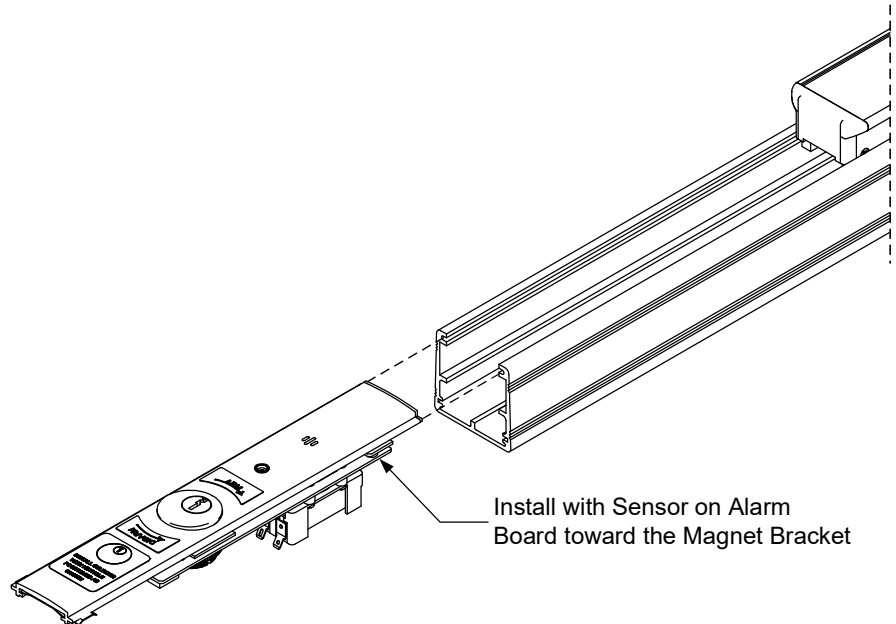
### Trigger Magnet Installation

Install Magnet Bracket into Exit Device as shown.



### Alarm Board Installation

Install Alarm Board Assembly into Exit Device.



Mount Sign on Door →

**EMERGENCY EXIT ONLY  
ALARM WILL SOUND**