



INSTALLATION INSTRUCTIONS

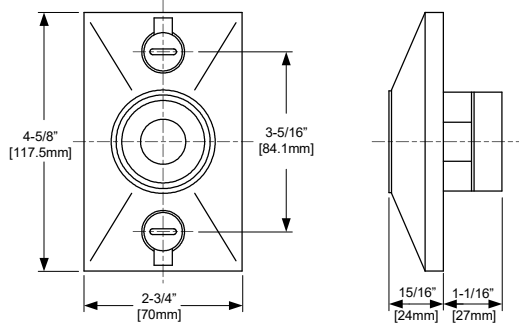
EH SERIES ELECTROMAGNETIC DOOR HOLDER

PLEASE READ INSTRUCTIONS CAREFULLY!

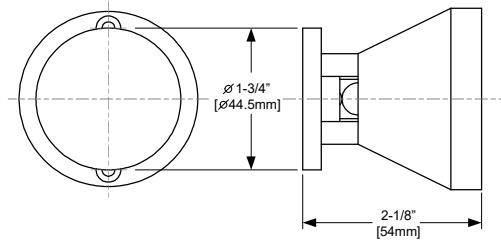
Install, test, and maintain these devices according to these instructions, NFPA 72, Local Codes and the Authority Having Jurisdiction. Failure to follow the instructions may result in failure of the device to operate in an alarm condition. SDC is not responsible for improperly installed, tested, or maintained devices.

This product is a high quality electromagnetic holding device intended for use in fire door application, but is not limited for use in other applications.

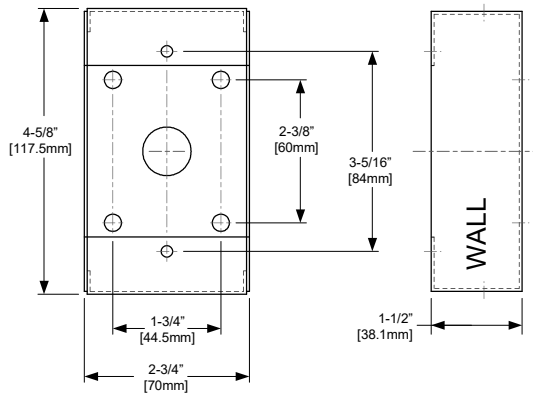
GENERAL DIMENSIONS



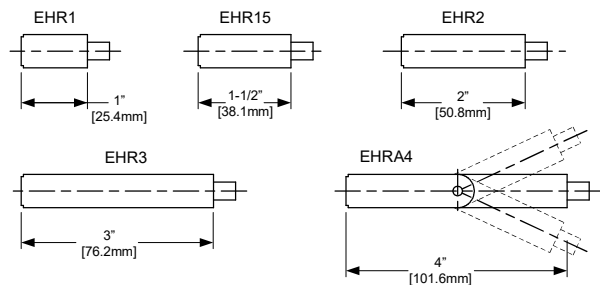
DOOR MAGNET



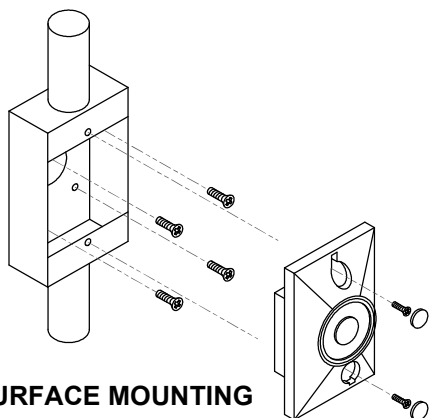
CATCH PLATE ASSEMBLY



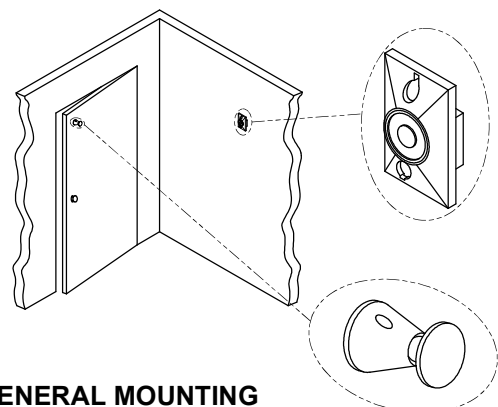
SURFACE MOUNT BACK BOX



EXTENSION RODS



SURFACE MOUNTING



GENERAL MOUNTING

Any suggestions or comments to this instruction or product are welcome. Please contact us through our website or email engineer@sdsecurity.com



WALL MOUNT INSTALLATION

CATCH PLATE MOUNTING

STEP 1):

With door magnet securely fastened, aligned and energized, proceed with swivel base assembly.

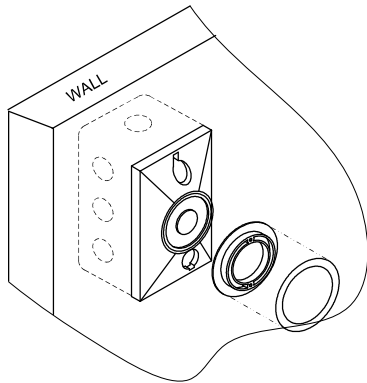
NOTE: If door extensions are required, install before step 2.

STEP 2):

Attach swivel portion to magnet, being careful to center the catch plate over the magnet.

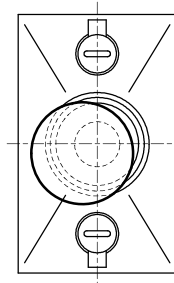
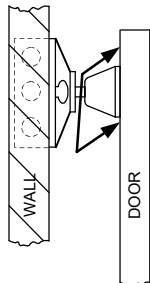
STEP 3):

With catch plate assembly attached magnetically to door magnet, peel adhesive backing off mounting template and slide over catch plate, making sure adhesive side faces door.

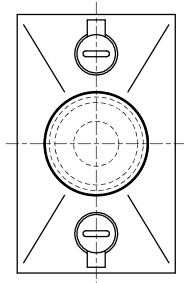


STEP 5):

While keeping slight pressure on door, slide mounting template over catch plate to door surface and apply pressure to template in a few spots.



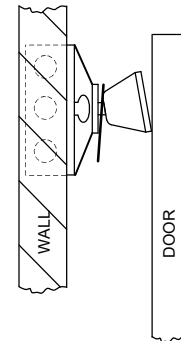
WRONG



RIGHT

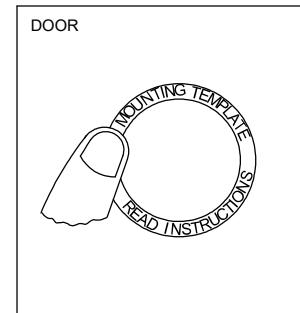
STEP 4):

Gently close door and with one hand adjust base of catch plate to lie flat against the door.



STEP 6):

Opening door will reveal mounting template. Apply final pressure to insure template does not fall off while assembly takes place.



WALL MOUNT INSTALLATION CONTINUED

STEP 7):

Insert alignment template into center of mounting template. Use tab to rotate to fine adjustment. While holding alignment template with one hand, remove adhesive backing of tab, then push flat against door.

STEP 8) A:

If not using door assembly drill fixture, center punch points indicated on alignment template for either horizontal or vertical mounting. For best results, drill 1/8" pilot holes first, then follow with 5/16" dia drill.

STEP 8) B:

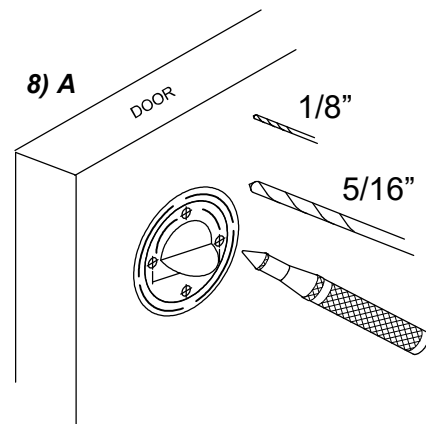
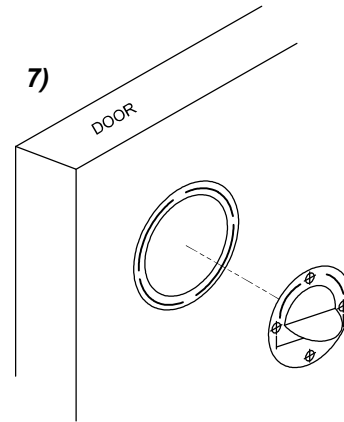
If using door assembly drill fixture, alignment template is not required. Locate drill bushing end into mounting template, holding firmly flat against door, then tighten slightly. Make sure fixture is flat against edge of door, tighten fully and drill through using 5/16" dia. drill.

STEP 8) C:

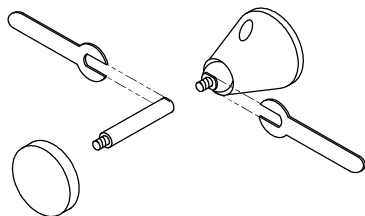
If mounting catch plate assembly directly to door, drill 1/8" dia. pilot hole approximately 1 to 1-1/2" deep, being careful not to go through door.

STEP 9):

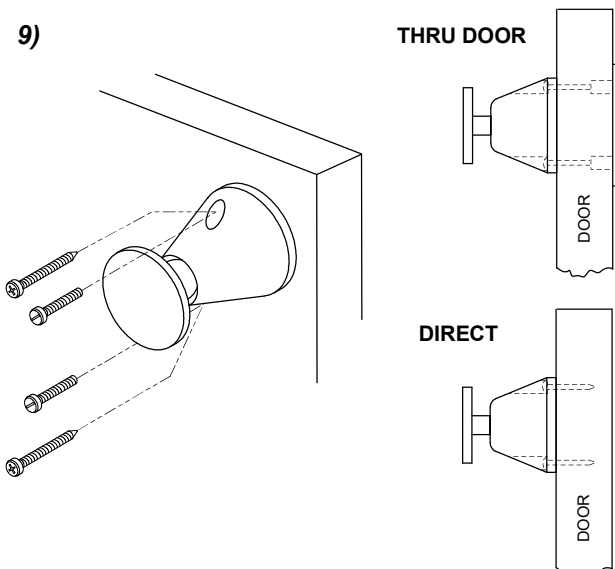
For either style of mounting (thru door/direct) remove **ONLY** alignment template, then place swivel in center. Align holes, then insert screws and tighten assembly fully. Lastly, remove mounting template.



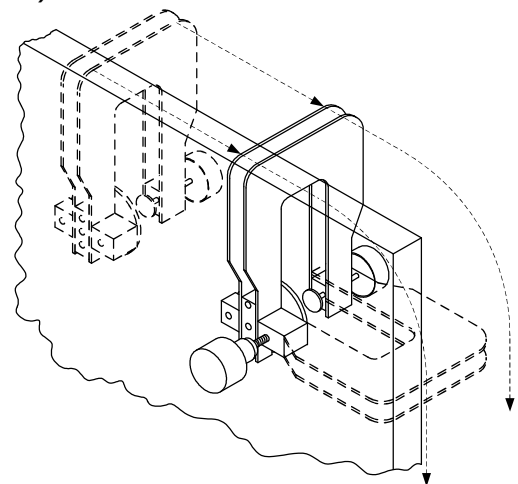
CATCH PLATE EXTENSION ROD ASSEMBLY:



9)



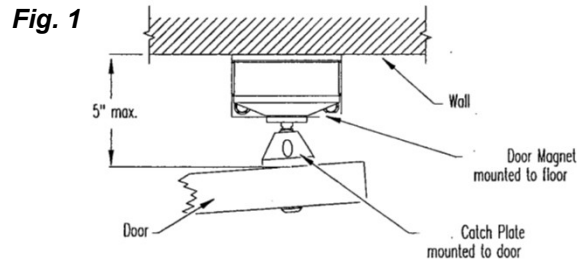
8) B



FLOOR MOUNT INSTALLATION

This portion of the instructions are intended for the EH40 & EH42 floor-mounted electromagnetic door holders models. The floor-mounted door holder is delivered with all mounting hardware necessary to install the floor-mount bracket, the backbox to the bracket, the magnet in the back box and the standard catch plate for a standard door.

Locate the floor-mount bracket so that the door swings open to the within five inches of the back surface of the bracket. See *Figure 1*.



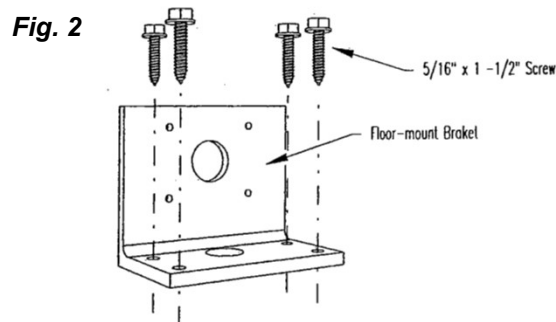
Use extension rods if the installation will not allow the door to swing within five inches of the backbox. Extension rods are available in lengths between one inch and four inches. Refer to pg. 1 for rod lengths and pg. 5 to determine length.

Installing the floor-mounted bracket

Caution: Check the bracket mounting and confirm that it will withstand the stress the door will exert upon it through the electromagnet.

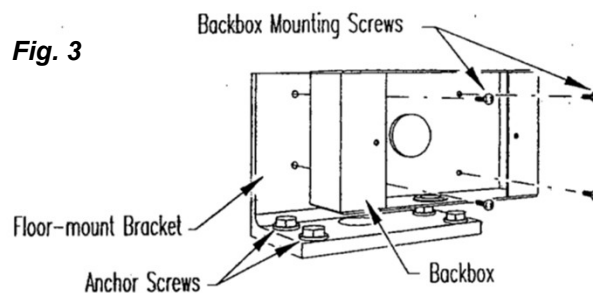
The floor-mount is packaged with the backbox mounted on the bracket. Remove the four backbox mounting screws. Note that the backbox can accept an electrical conduit through knockouts located at the back, bottom, and or through the sides. Locate the bracket so that the backbox will align with the catch plate location on the door.

Mount the bracket securely to the floor using the four anchor screws provided. See *Figure 2*.



Attaching the backbox to the bracket

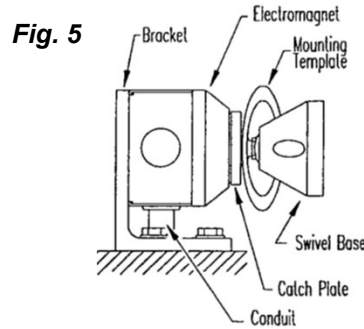
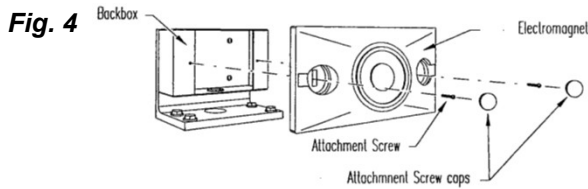
Mount the backbox to the bracket, and connect the wiring conduit(s) to it. Pull the circuit wiring through the conduit into the backbox. See *Figure 3*.



FLOOR MOUNT INSTALLATION CONTINUED

Connecting the magnet to circuit wiring

Check that the wiring connections are secure and install the electromagnet in the backbox as shown in *Figure 4*.



Installing the Catch Plate to the Door

Energize the electromagnet and attach the catch plate to it.

Caution: If the catch plate is not centered on the electromagnet during this procedure the magnet will be misaligned

Separate the mounting template from the alignment template. Remove the adhesive backing from the mounting template, and slide the template over the swivel base with the printing toward the electromagnet. See *Figure 5*.

Gently close the door against the swivel base and adjust the base so that it is flush against the door. Hold the door in position and slide the mounting template back over the base so that it lies flat against the door.

Press the mounting template so that it is firmly attached to the door.

How to determine Extension Rod & Adjustable Rod Length

Extension Rod Applications:

Refer to *Figure 6* for Aligned Catch Plate and Door Holder

Adjustable Rod Application:

Refer to *Figure 7* for Misaligned Catch Plate and Door Holder

1. Hold door open at desired position.
2. Measure distance between door and wall.
3. Subtract below dimension indicated for door holder style.

Flush Mount:

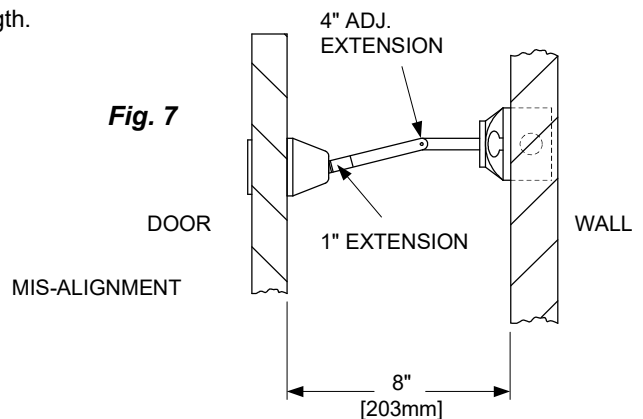
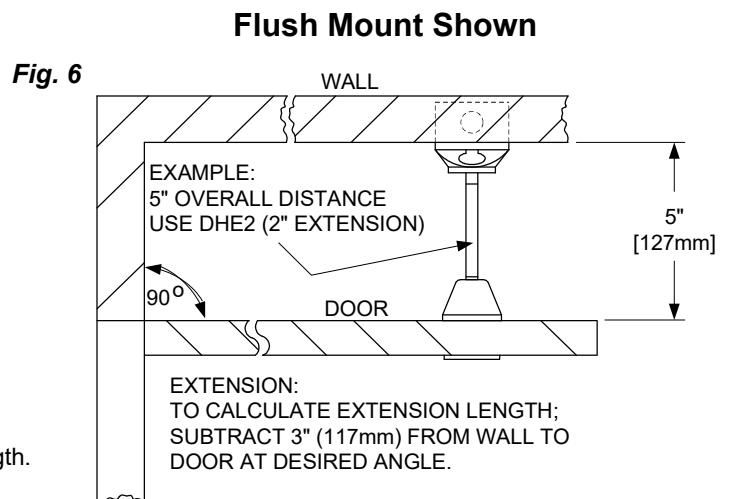
Subtract 3" from measured distance to determine minimum rod length.

Recessed Mount:

Subtract 2-3/8" from measured distance to determine minimum rod length.

Surface Mount:

Subtract 4-5/8" from measured distance to determine minimum rod length.



ELECTRICAL

PERFORMANCE DATA:

MODEL	VOLTAGE	DC / mA	AC / mA	TERMINALS	Lb.	Kg.
1224	12 V	40	38	C & L	30	13.6
	24 V	40	36	C & H	30	13.6
24120	24 V	20	19	C & L	40	18.1
	120 V	-	20	C & H	35	15.8
24220	120 V	-	100	C & L	110	49.8
	24 V	20	19	C & L	20	9.0
	220 V	-	15	C & H	22	9.8

HIGH HOLDING FORCE / SPECIAL APPLICATIONS:

MODEL	VOLTAGE	DC / mA	AC / mA	TERMINALS	Lb.	Kg.
1224	24 V	85	81	C & L	75	34.0
24120	120 V	-	100	C & L	110	49.8

To obtain performance values in table above, apply high listed voltage to low voltage terminals (C & L).

NOTE: This configuration can only be applied to Models 1224 & 24120.

