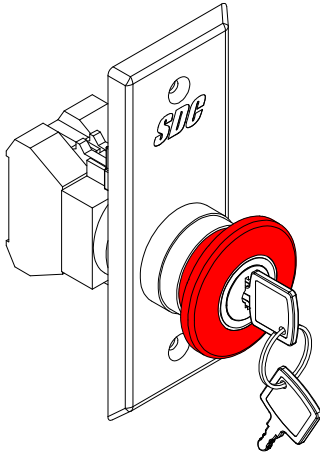


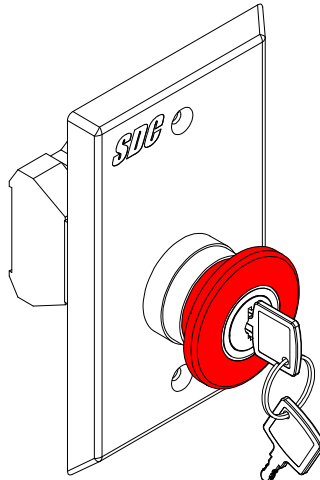


INSTALLATION INSTRUCTIONS

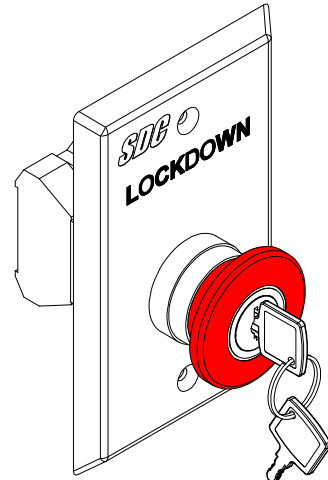
432KN, 432K, & 432KLD MOMENTARY LATCHING W/KEY RESET



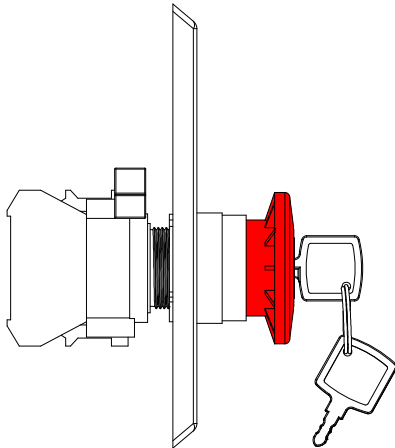
432KN



432K

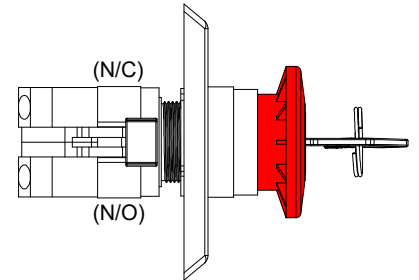
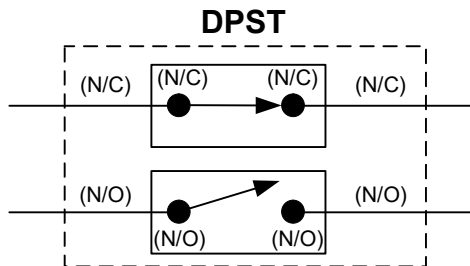


432KLD



Side View

432KN, 432K, & 432KLD Wiring



Top View

Operation:

Push mushroom button to activate & latch.
Insert key & turn clockwise to reset.

Specification:

- Mounting : Single-Gang, 2" Depth Min.
- Overall Dimensions : 2-78" H x 4-5/8" W x 3-1/4" D
(De-Activated, Less Key)
- Plate Finish : 630 (US32D)
- Contact Type : DPST (1 N/C & 1 N/O)
- Contact Rating : 24VDC @ 3 AMPS (Resistive/Inductive)
- Wire Size : 12~22AWG (Single)

UL 294 Performance Rating - (Only 432KLD)

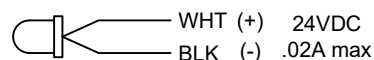
- SECURITY** Level I : Line Security
UL Level I : Destructive Attack
LISTED Level I : Standby Power
 Level IV : Endurance

All peripheral modules for UL compliance are required to be UL Listed UL 294.

To be used with a Class 2 power supply or voltage compatible UL 294 or UL 603 listed power supply

Compliance with ANSI/NFPA 70 National Electrical Code

Optional - Single Color LED Wiring



*Models only with L1G, L1R, or L2 option.

Any suggestions or comments to this instruction or product are welcome. Please contact us through our website or email engineer@sdsecurity.com